

HEAVY-DUTY INDESTRUCTIBLE MULTI-SPRAY HOSE NOZZLE

WITH SMART THROTTLE

Model AJHN102-RM

**THANKS FOR YOUR PURCHASE
OF A REMANUFACTURED PRODUCT.**

To make sure you get the most out of
your product, be sure to register online at

[sunjoe.com](https://www.sunjoe.com)

to enjoy full product support.

PASTE UPC LABEL HERE

If you have any questions or comments,
please call the Snow Joe® + Sun Joe® customer service department at:

1-866-SNOWJOE (1-866-766-9563)



AQUAJOE®

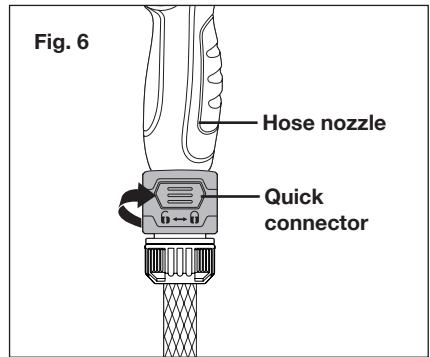
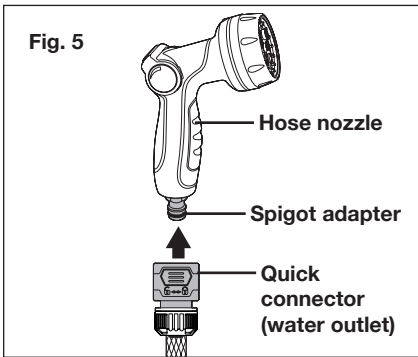
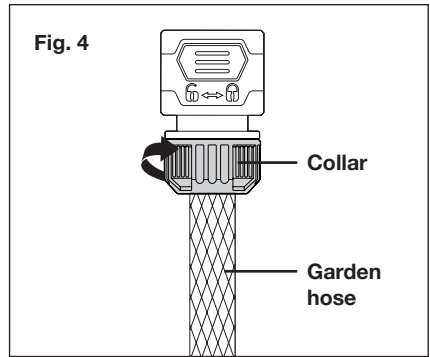
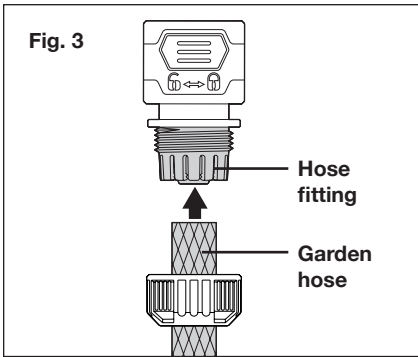
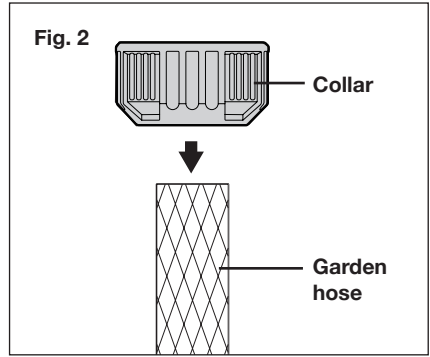
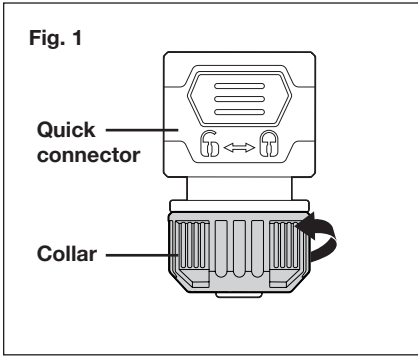
HEAVY-DUTY INDESTRUCTIBLE MULTI-SPRAY HOSE NOZZLE

WITH SMART THROTTLE

Model AJHN102-RM

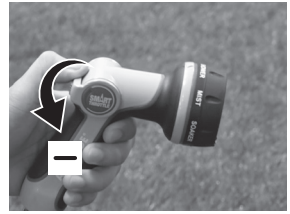
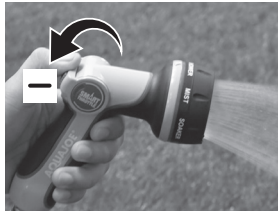
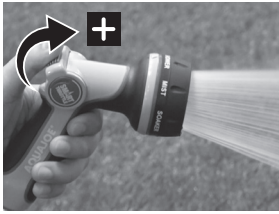


If you have any questions or comments,
please call the Snow Joe® + Sun Joe® customer service department at:
1-866-SNOWJOE (1-866-766-9563)



Hose Fittings

1. Unscrew the collar from the quick connector then insert the garden hose end through the collar (Figs. 1 & 2).
2. Put the hose fitting on, twist as needed for a secure fit (Fig. 3).
3. Tighten the collar securely (Fig. 4).
4. Attach hose nozzle to the outlet of the garden hose by firmly pressing the quick connector to the spigot adapter until they lock together securely (Fig. 5).
5. Turn the quick connector clockwise to lock. Turn counter-clockwise to unlock (Fig. 6).



Using the Smart Throttle

The AQUA JOE One Touch Adjustable Nozzle adjusts from intense jet to gentle spray in one smooth move with simple thumb control.

1. To start, slide throttle control up with your thumb for a more powerful and precise stream, as shown.
2. To decrease spray intensity for a wide, gentle spray, slide down on the throttle control with thumb, as shown.
3. To stop, slide throttle control all the way down.



SHOWER



JET



FLAT



CENTER



CONE



SOAKER



MIST

Using the Adjustable Nozzle to Adjust the Spray Patterns

1. With the water flowing, rotate nozzle to desired setting. Select from shower, jet, flat, center, cone, soaker and mist.
2. Adjust smart throttle as needed to desired intensity of spray.

Service + Support

If your AQUA JOE® AJHN102-RM hose nozzle requires service or maintenance, please call the Snow Joe® + Sun Joe® customer service center at 1-866-SNOWJOE (1-866-766-9563).

Model + Serial Numbers

When contacting the company, reordering parts, or arranging service from an authorized dealer, you will need to provide the model and serial numbers, which can be found on the decal located on the housing of the unit. Copy these numbers into the space provided below.

Record the following numbers from the housing or handle of your new product:

Model #: _____

A J H N 1 0 2 - R M _____

Serial #: _____



SNOW JOE® + SUN JOE® REFURBISHED GOODS WARRANTY

GENERAL CONDITIONS:

Snow Joe® + Sun Joe® operating under Snow Joe®, LLC warrants this refurbished product to the original purchaser for 90 days against defects in material or workmanship when used for normal residential purposes. If a replacement part or product is needed, it will be sent free of charge to the original purchaser except as noted below.

The duration of this warranty applies only if the product is put to personal use around the household. It is the owner's responsibility to correctly perform all maintenance and minor adjustments explained in the owner's manual.

HOW TO OBTAIN YOUR REPLACEMENT PART OR PRODUCT:

To obtain a replacement part or product, please visit snowjoe.com/help or email us at help@snowjoe.com for instructions. Please be sure to register your unit beforehand to speed up this process. Certain products may require a serial number, typically found on the decal affixed to the housing or guard of your product. All products require a valid proof of purchase.

EXCLUSIONS:

- Wearing parts like belts, augers, chains and tines are not covered under this warranty. Wearing parts can be purchased at snowjoe.com or by calling 1-866-SNOWJOE (1-866-766-9563).
- Batteries are covered in full for 90-days from the date of purchase.

Snow Joe® + Sun Joe® may from time to time change the design of its products. Nothing contained in this warranty shall be construed as obligating Snow Joe® + Sun Joe® to incorporate such design changes into previously manufactured products, nor shall such changes be construed as an admission that previous designs were defective.

This warranty is intended to cover product defects only. Snow Joe®, LLC is not liable for indirect, incidental or consequential damages in connection with the use or misuse of the Snow Joe® + Sun Joe® products covered by this warranty. This warranty does not cover any cost or expense incurred by the purchaser in providing substitute equipment or service during reasonable periods of malfunction or non-use of this product while waiting for a replacement part or unit under this warranty. Some states do not allow exclusions of incidental or consequential damages so the above exclusions may not apply in all states. This warranty may give you specific legal rights in your state.

HOW TO REACH US:

We're here to help Monday through Friday from 9AM to 7PM EST and Saturday and Sunday 9AM to 4PM. You can reach us at 1-866-SNOWJOE (1 866-766-9563), online at snowjoe.com, via email at help@snowjoe.com or tweet us @snowjoe.

EXPORTS:

Customers who have purchased Snow Joe® + Sun Joe® products exported from the United States and Canada should contact their Snow Joe® + Sun Joe® distributor (dealer) to obtain information applicable to your country, province or state. If for any reason, you are not satisfied with the distributor's service, or if you have difficulty obtaining warranty information, contact your Snow Joe® + Sun Joe® seller. If in the event your efforts are unsatisfactory, please reach out to us directly.



Handwriting practice lines. The page contains 21 horizontal lines for writing, evenly spaced from top to bottom.



sunjoe.com